

Cap Mounted SML



Applications:

- Laser Diode Coupling
- Single Element Coupling Systems
- Laser Diode Pigtailed

Features:

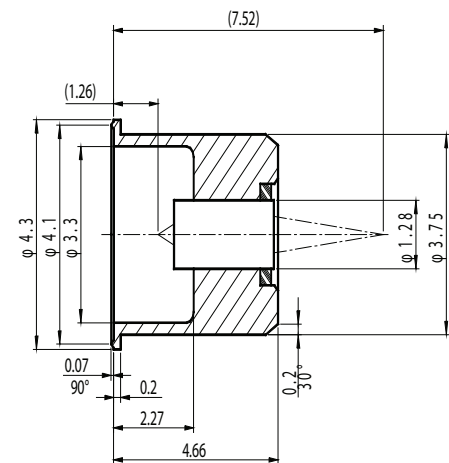
- High Coupling SML
- Precision Molded Optics
- Compact Design



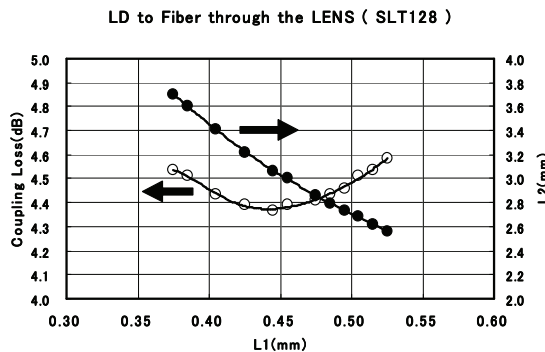
Specifications:

Parameter	Symbol	Product Number
		SLT128
Operating Wavelength (nm)	WL	1550
Effective Focal Length (mm)	EFL	1.15
Magnification	M	2.5
Effective NA	NA	0.4 x 0.16
Chip Height (mm)	CH	1.26
Total Mechanical Length (mm)	TML	7.52
Total Conjugate (mm)	TC	6.26
Transmittance (%)	T	99
Wave Front Abberation (RMS, λ)	rms	0.04
Hermeticity (mbar • l/sec.)	He-LEAK	$< 1 \times 10^{-9}$

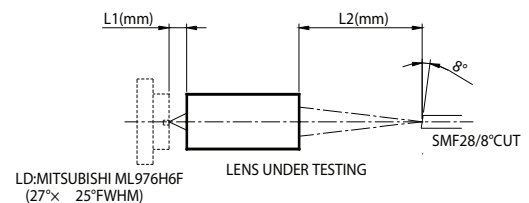
Mechanical Drawing:



Optical Characteristics:



Measurement System:



Document # - GF-S-MKT-SLT1-REV2-09-09