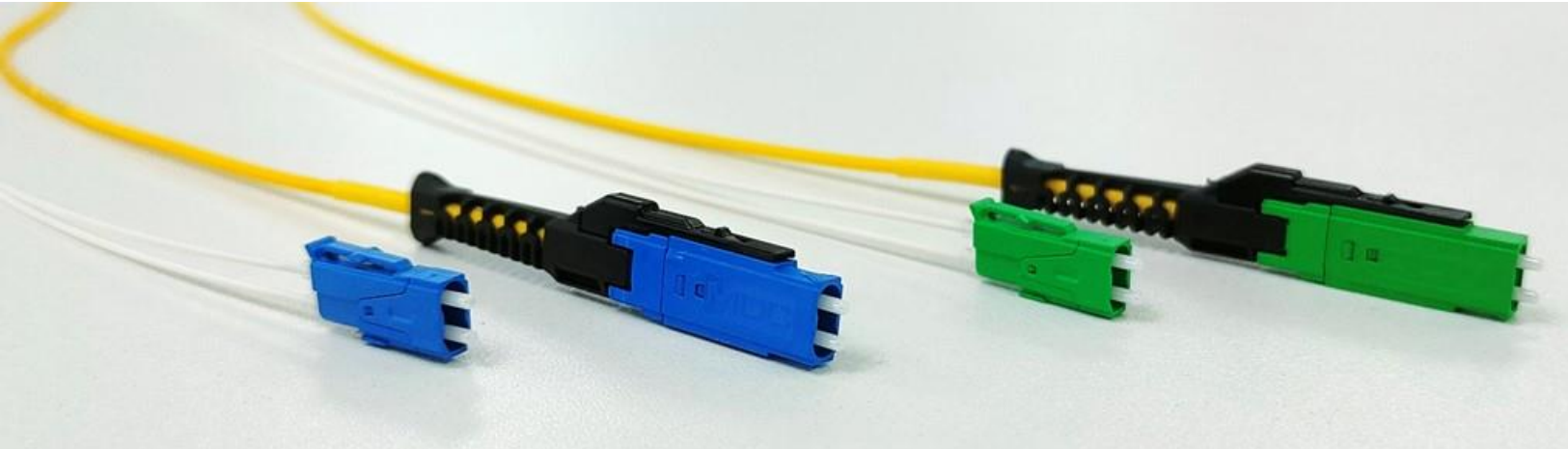


# ELiMENT™ MDC Sr and MDC Jr Optical Jumpers

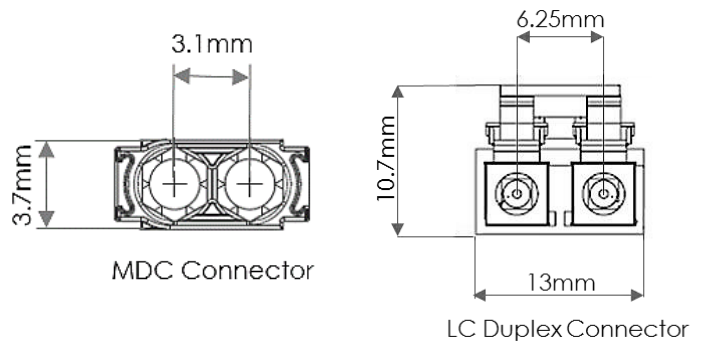
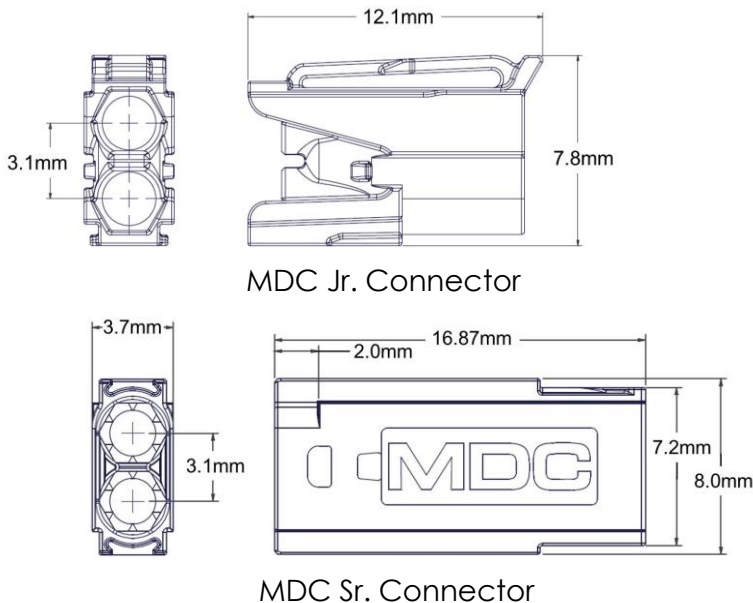


## Description:

Go!Foton's MDC optical jumper uses the US Conec ELiMENT™ MDC duplex connector with 1.25mm ferrule used in standard LC connectors for Very Small Form Factor (VSFF) applications. The MDC push-pull boots make it easy to access individual connectors in extremely dense environments. Polarity reversal of the MDC connector is quick and easy requiring no tools and does not expose or twist fibers.

The Go!Foton MDC jumper is designed and tested for high reliability that exceed industry standards. We provide experienced technical application support, competitive pricing, and On-Time delivery for our customers.

## Mechanical Dimension:



MDC has 50% smaller pitch than standard LC duplex connector

## Features and Benefits:

- Compliant with GR-326
- Very Small Form Factor (VSFF) duplex connector
- 3x fiber cable density than LC
- Push-pull boot for connector insertion and extraction
- Simple polarity reversal with no exposed fibers
- 100% IL and RL tested and verified
- Controlled end-face geometry to improve connector performance.

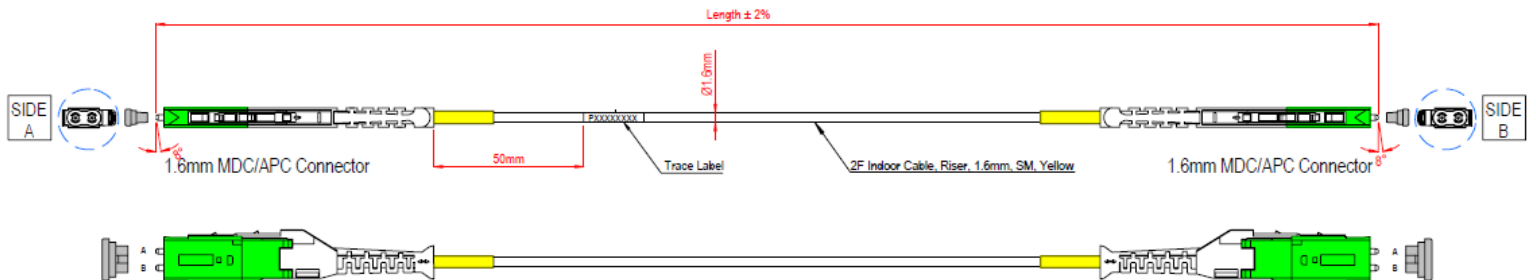
## Applications:

- QSFP-DD and SFP-DD next gen transceivers
- High density fiber management
- Data center
- Storage Area Network

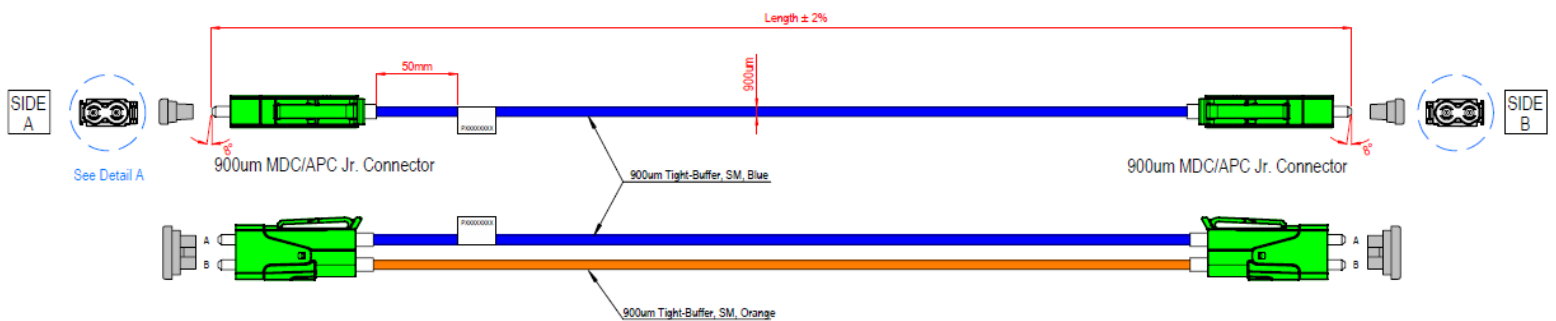
## Specifications:

Optical	Specification
Insertion Loss	SM(PC): $\leq 0.25\text{dB}$ SM(APC): $\leq 0.35\text{dB}$
Return Loss	SM(PC): $\geq 50\text{dB}$ SM(APC): $\geq 60\text{dB}$
Fiber Type	Singlemode: G.652D, G.657A1, G.657A2/B2, G.657B3
Mechanical	Specification
Fiber Jacket Type	OFNR, LSZH, OFNP and Dual OFNR/LSZH Rated
Cordage Diameter	900um (MDC Jr.) 1.6mm (MDC Sr.)
Connector Type	MDC Jr.-MDC Jr. MDC Sr.-MDC Sr.
Fiber Length	Customized as per customer required application

## Schematic Drawing:

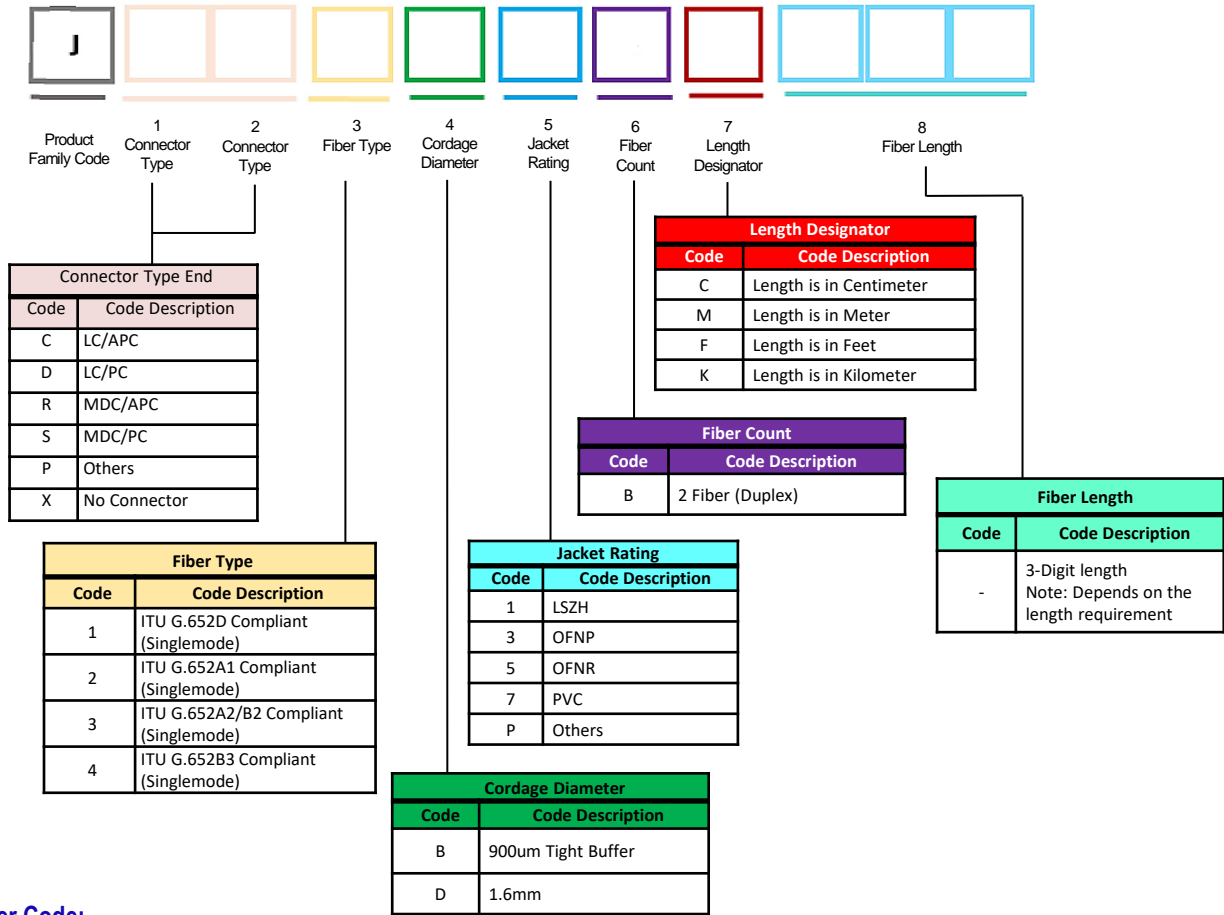


**JUMPER 2F MDCA-MDCA SMF 1.6MM (MDCA Sr)**



**JUMPER 2F MDCA/JR-MDCA/JR SMF RSR 900UM (MDCA Jr)**

# Ordering Guide:



## Example Order Code:

**Order Code:** JRR3D5BC050

**Description:** JUMPER 2F MDCA-MDCA SMF RSR 1.6MM 50CM

NOTE: All of our cable assemblies may be custom configured as required for your specific applications. If you do not see what you are looking for, please contact one of our customer care specialists or send an email to [CustomerService@gofoton.com](mailto:CustomerService@gofoton.com).