

# PEACOC® Compact 12/24-Port ISP Fiber Terminal

## Description:

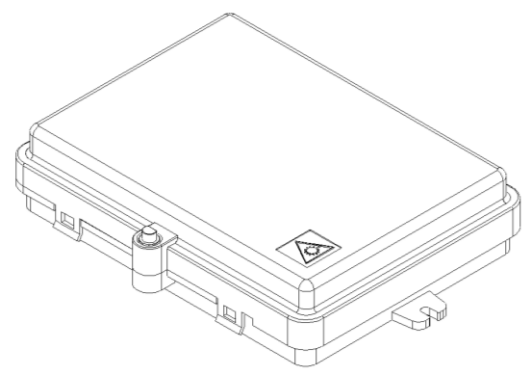
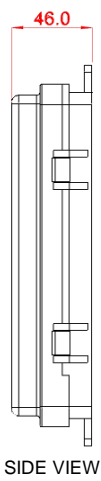
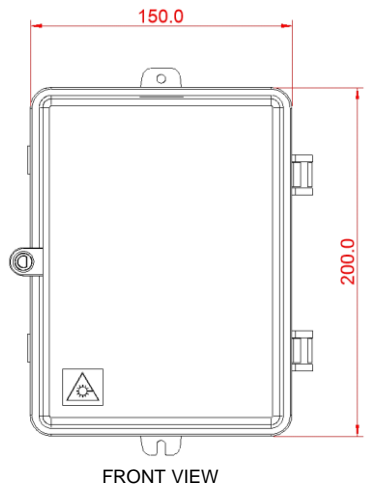
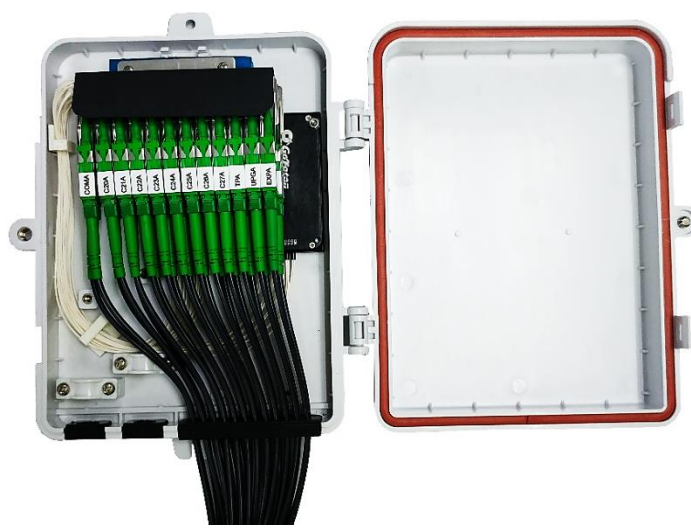
The Go!Foton PEACOC Small Indoor 12/24 Port Terminal along with integrated DWDM, CWDM, Tap Monitor or PLC Splitters offers high density fiber management in an extremely small yet easily accessible box for fast installation and quick turn-up of field connections with quality and performance. With many optical component configurations available, this terminal delivers simple plug-and-play operability for use anywhere in the network.

## Features:

- Enhanced connector access using PEACOC spreadable adapter technology
- 12 or 24 simplex LC F2 ports
- Extremely compact size
- Integrated optical components: CWDMs, DWDMs, Tap Monitors, PLC Splitters
- Configurable for Wall mount

## Applications:

- Suitable for use in any ISP fiber network
- Ideal for 5G, Small Cell, and DAS Networks
- FTTA and MDU applications
- 10G/100G networks and beyond
- HFC Networks

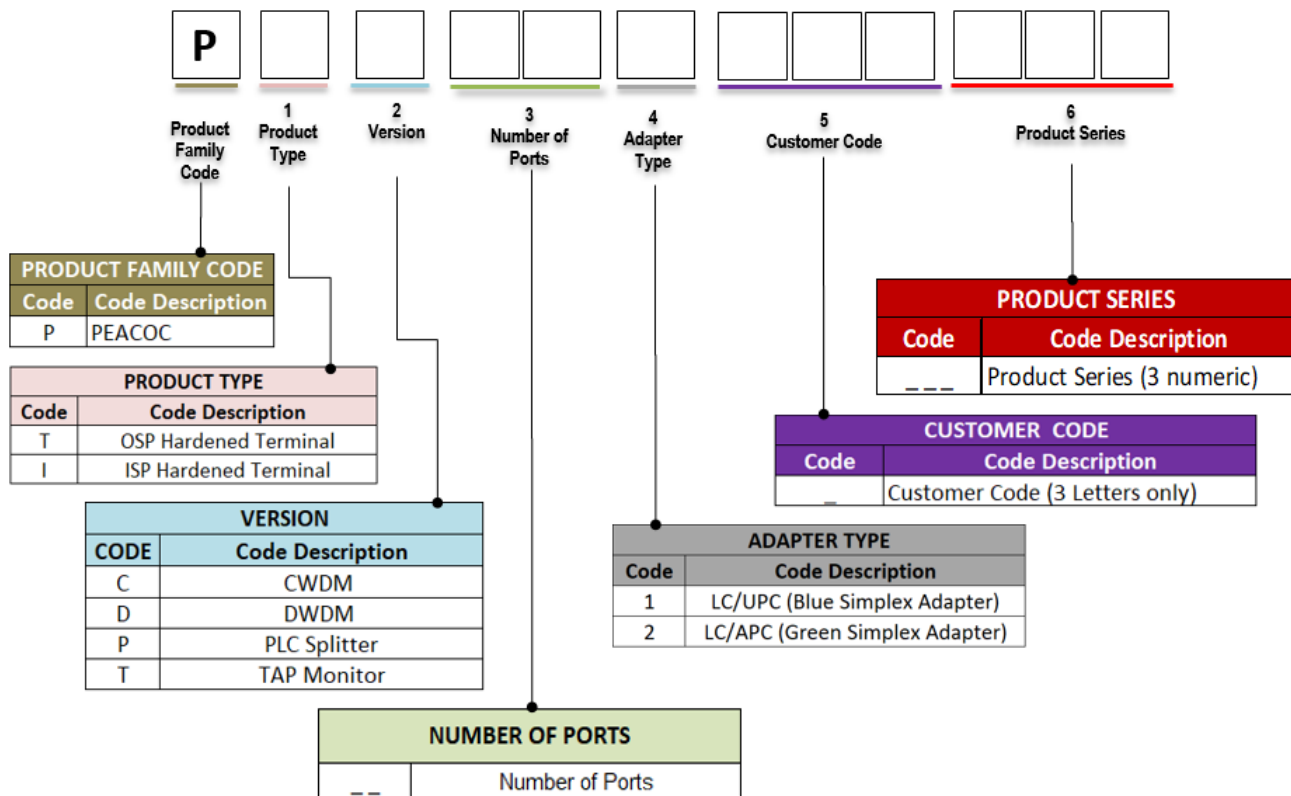


# PEACOC® Compact 12/24-Port ISP Fiber Terminal Specifications:

Outer Dimension	200mm L x 150mm W x 46mm H
Fiber Capacity	24 Fibers
Number of Adapters	24 Simplex (2 rows)
Adapter Type(s)	Simplex LC/APC or LC/UPC
Operating Temperature	-40°C to +65°C
Mounting Options	Wall-Mount
Locking Mechanism	Screw Key
Color	White
Standards	GR-771-CORE

## Ordering Guide:

### CODE FOR OSP HARDENED TERMINAL



## Example Order Code:

**Order Code:** PID241GFT001

**Description:** ISP Hardened Terminal, DWDM, 24 port, Blue simplex LC/UPC, GFT001 configuration

NOTE: Customer Code and Product Series are used to signify different optical component configurations (i.e. channels, split ratios, tap filter ratios, etc.)

