

PEACOC® ISP Fiber Terminal

Description:

The Go!Foton PEACOC® Small Indoor Splice and Patch Fiber Terminal offers high-density fiber management in an extremely small yet easily accessible enclosure for fast installation, easy access, and quick turn-up of field connections with quality and performance. This terminal delivers simple plug-and-play operability for use in any fiber network application. It's high-density fiber management – **that works!**

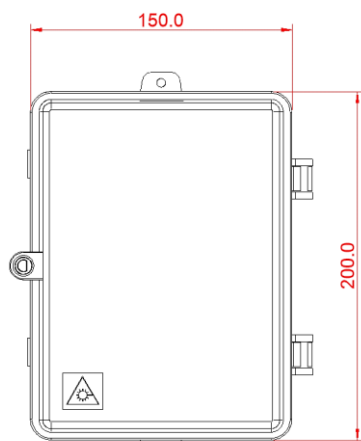


Features:

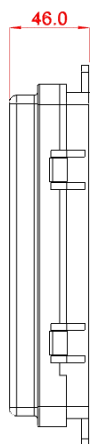
- Enhanced connector access using PEACOC® spreadable adapter technology
- Extremely compact size
- 12 or 24 Duplex LC drop ports
- Up to 12 Ports SCA Splices
- Configurable for Wall mount

Applications:

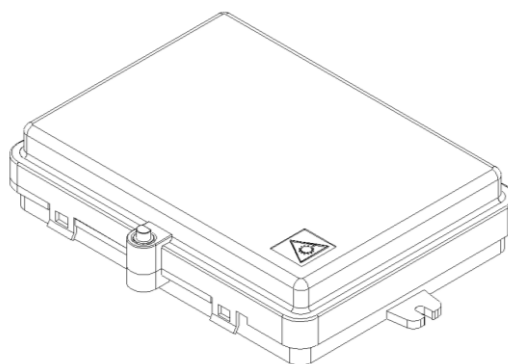
- Suitable for use in any fiber network
- 24 Ports LC Duplex for Patching
- 12 Ports LC for Splice Application
- 12 Ports SC Simplex for Patching and Splicing Applications



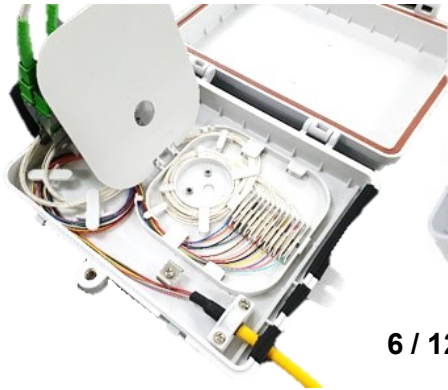
FRONT VIEW



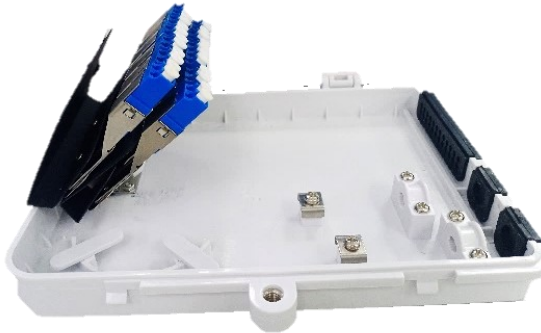
SIDE VIEW



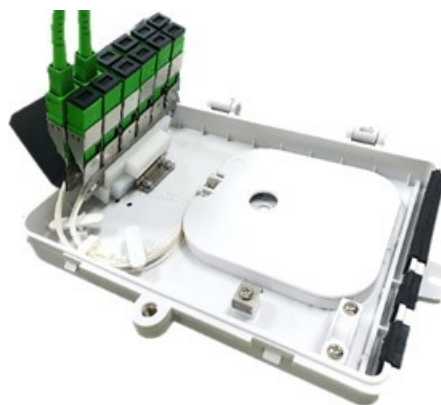
PEACOC® ISP Fiber Terminal



6 / 12 Port LC Duplex for Splicing



12 / 24 Port LC Duplex for Patching



6 / 12 Port SC Simplex for Patching and Splicing



Specifications:

PARAMETER	SPECIFICATION
Outer Dimension	7.9" x 5.9" x 1.8" (200mm x 150mm x 46mm)
Adapter Type(s)	LC Duplex, SC Simplex
Number of Ports	24 Duplex LC, 12 Simplex SC
Fiber Capacity (Patching)	Up to 24 Fibers (LC), 12 Fibers (SC)
Fiber Capacity (Splicing)	Up to 12 Fibers (LC), 12 Fibers (SC)
IP Rating	IP63
Mounting Options	Wall-Mount
Locking Mechanism	Screw Key
Color	White
Operating Temperature	-40°C to +60°C

Ordering Guide:

