

PEACOC® Small Fiber Terminal

Description:

The Go!Foton PEACOC Small Indoor Fiber Terminal offers high-density fiber management in an extremely small yet easily accessible enclosure for fast installation, easy access, and quick turn-up of field connections with quality and performance. This terminal delivers simple plug-and-play operability for use in any fiber network application – ideal for customer premise and MDUs. It's high-density fiber management – **that works!**



Features:

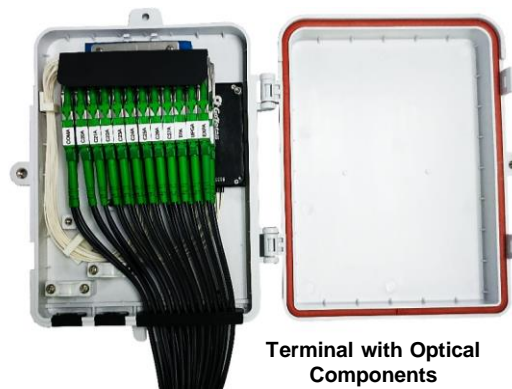
- Enhanced connector access using PEACOC spreadable adapter technology
- Extremely small & compact size
- Up to 24 LC drop ports (simplex or duplex) or 12 SC drop ports (simplex)
- Pre-stubbed and non-stubbed options available
- Field installable feeder cable: splice or connectorized
- Integrated optical components: PLC Splitters, DWDMs and Engineered TAPs



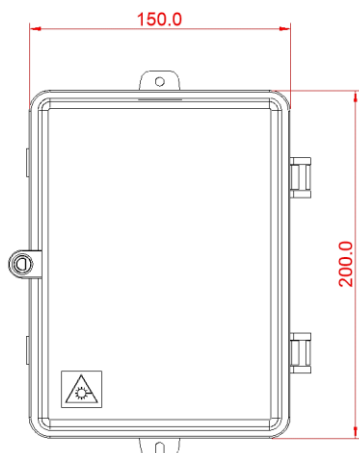
Standard Terminal
Splice & Patch

Applications:

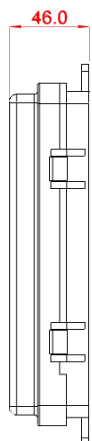
- Suitable for use in any fiber network
- Ideal for 5G, Small Cell, and DAS Networks
- FTTA, MDU, and Customer Premise applications
- HFC and CATV networks



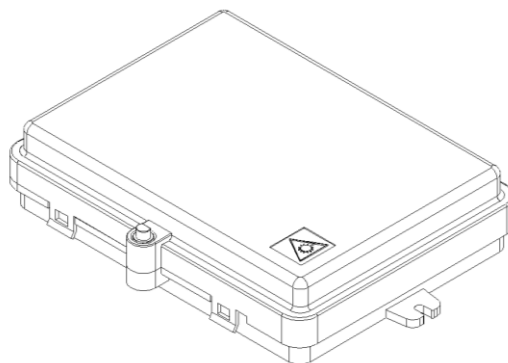
Terminal with Optical
Components



FRONT VIEW



SIDE VIEW



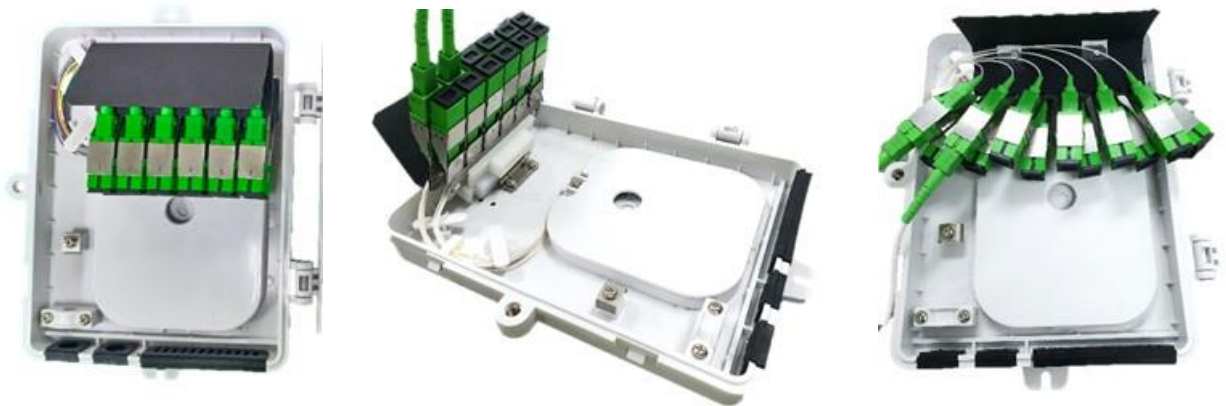
PEACOC® Small Fiber Terminal



12 / 24 Port with LC Duplex



6 / 12 Port with LC Duplex and Splice Tray



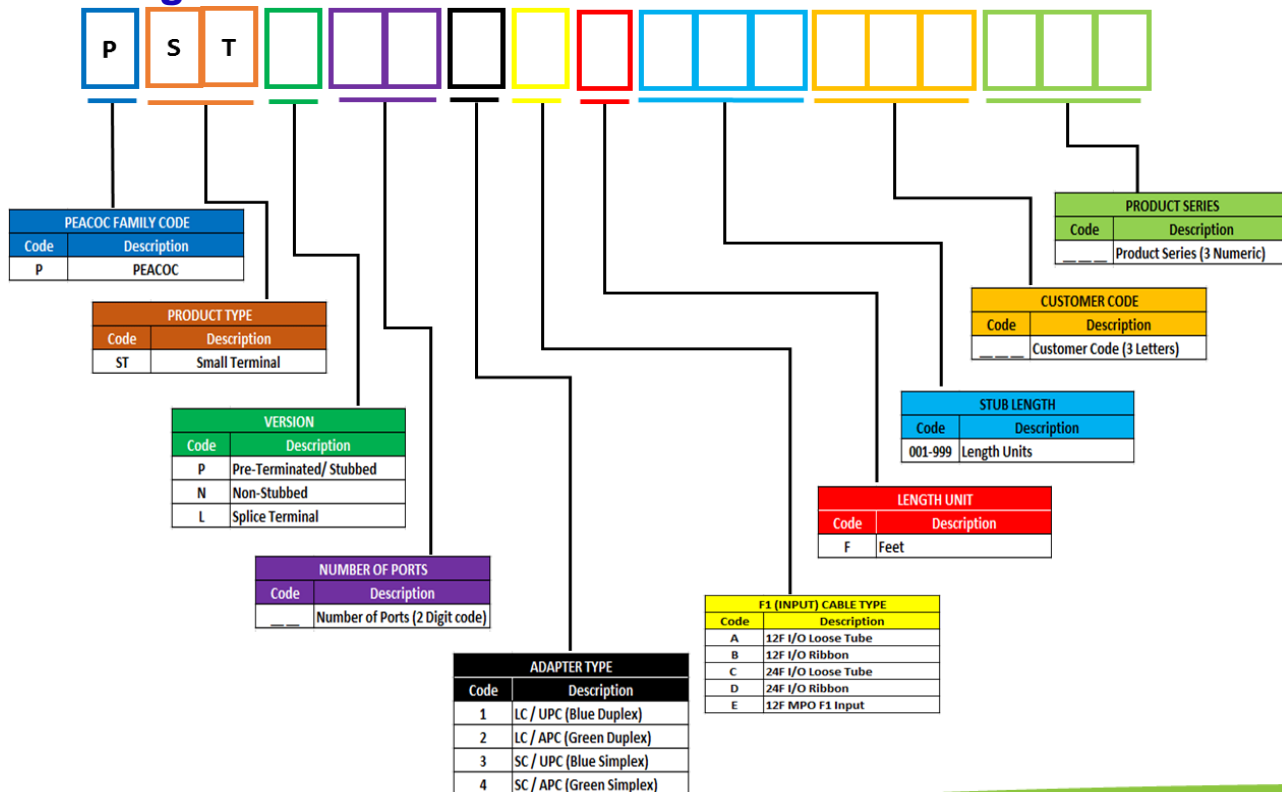
6 / 12 Port with SC Simplex and Splice Tray

PEACOC® Small Fiber Terminal

Standard Terminal Specifications:

| PARAMETER | SPECIFICATION |
|---------------------------|--|
| Outer Dimension | 7.9" x 5.9" x 1.8" (200mm x 150mm x 46mm) |
| Adapter Type(s) | LC/APC and LC/UPC Simplex or Duplex SC/APC and SC/UPC Simplex |
| Number of Ports | Up to 24 LC or 12 SC |
| Fiber Capacity (Patching) | Up to 24 Fibers (LC) or 12 Fibers (SC) |
| Fiber Capacity (Splicing) | Up to 12 Fibers (LC or SC) |
| Mounting Options | Wall-Mount |
| Locking Mechanism | Screw Key |
| Color | White |
| Material Rating | UL94V-0 |
| Operating Temperature | -40°C to +60°C |
| IP Rating | IP63 |

Ordering Guide:

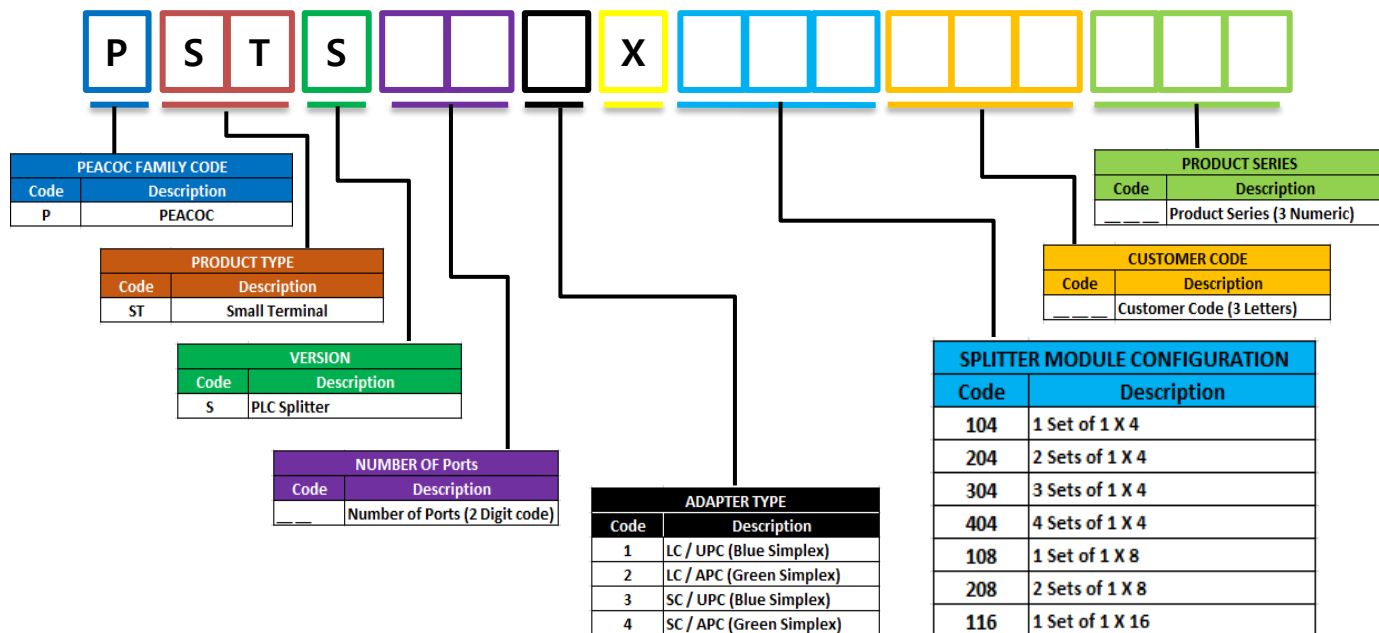


PEACOC® Small Fiber Terminal

Splitter Terminal Specifications:

| PARAMETER | 1x4 | 1x8 | 1x16 |
|-----------------------------|-----------------|-----------|-----------|
| Operating Wavelength | 1260~1620nm | | |
| Insertion Loss | ≤ 7.2 dB | ≤ 10.9 dB | ≤ 14.1 dB |
| Uniformity | ≤1.0 dB | ≤1.0 dB | ≤1.0 dB |
| Polarization Dependent Loss | ≤0.2 dB | ≤0.3 dB | ≤0.3 dB |
| Wavelength Dependent Loss | ≤0.3 dB | | |
| Return Loss | ≥50 dB | | |
| Directivity | ≥55 dB | | |
| Optical Power Handling | ≤ 500 mW | | |
| Splitter Capacity | See table below | | |
| Outer Dimensions | 8" x 13" x 3" | | |
| Standards | GR-1209/GR-1221 | | |

Ordering Guide:

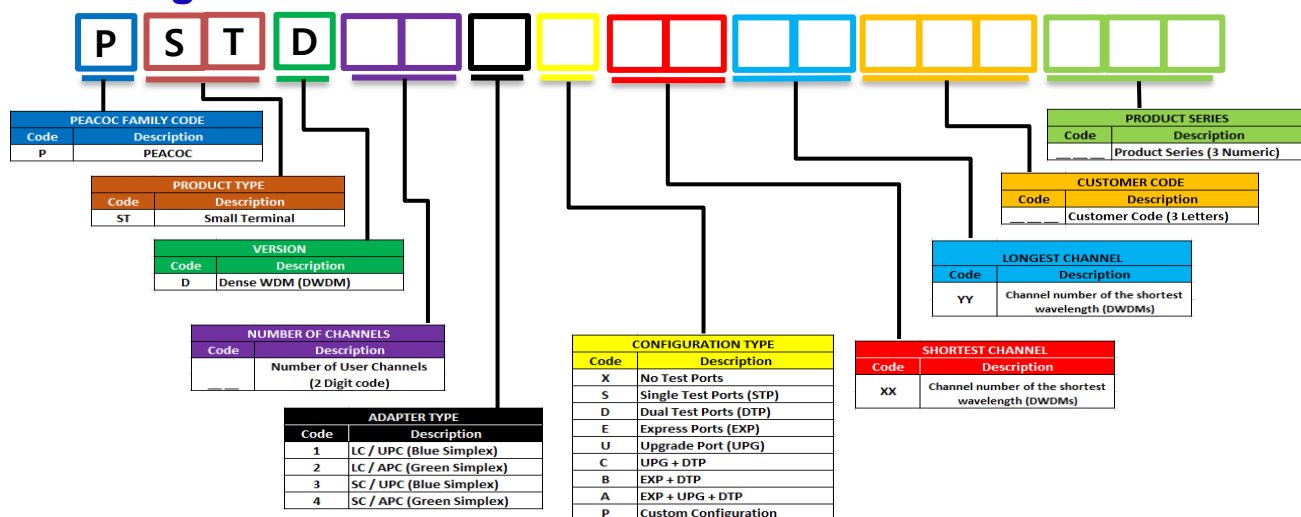


PEACOC® Small Fiber Terminal

DWDM Terminal Specifications:

| PARAMETER | | 4CH | 8CH |
|--------------------------------|---------|-------------------------------------|----------------|
| Operating Wavelength | | ITU | |
| Channel Spacing | | 100 GHz | |
| Pass band Wavelength | DWDM | ITU | |
| | Express | 1260~1520 and 1570~1635 | |
| | Upgrade | 1528~1565 (Except C59~C20 Channels) | |
| Passband Bandwidth | | $\lambda_c \pm 0.12\text{nm}$ | |
| Max Insertion Loss | DWDM | ≤ 2.0 dB | ≤ 3.0 dB |
| | Express | ≤ 1.0 dB | |
| | Upgrade | ≤ 3.0 dB | |
| Test Port Insertion Loss | MUX | 20 ~ 25 dB | |
| | DEMUX | 18~22 dB (19 ~ 21 dB typ.) | |
| Uniformity | | ≤ 1.0 dB | ≤ 1.0 dB |
| Passband Ripple | | ≤ 0.5 dB | |
| Adjacent Channel Isolation | | ≥ 28 dB | |
| Non-Adjacent Channel Isolation | | ≥ 45 dB | |
| Upgrade Port Isolation | | ≥ 12 dB | |
| Express Port Isolation | | ≥ 12 dB | |
| Polarization Dependent Loss | | ≤ 0.20 dB | ≤ 0.20 dB |
| Return Loss | | ≥ 45 dB | |
| Directivity | DWDM | ≥ 55 dB | |
| | Express | 45 dB | |
| Optical Power Handling | | ≤ 500 mW | |
| Standards | | GR-1209/1221 | |

Ordering Guide:



PEACOC® Small Fiber Terminal

Engineered TAP Terminals:

| Code | TAP Value | TAP Module Description |
|---------------------------------|-----------|---|
| MODULE WITH 2-DROP PORTS | | |
| 01 | 21 dB | 99/1 TAP WITH 1X2 SPLITTER DROP PORTS |
| 02 | 19 dB | 98/2 TAP WITH 1X2 SPLITTER DROP PORTS |
| 03 | 17 dB | 97/3 TAP WITH 1X2 SPLITTER DROP PORTS |
| 04 | 15 dB | 95/5 TAP WITH 1X2 SPLITTER DROP PORTS |
| 05 | 14 dB | 94/6 TAP WITH 1X2 SPLITTER DROP PORTS |
| 06 | 12 dB | 90/10 TAP WITH 1X2 SPLITTER DROP PORTS |
| 07 | 10 dB | 80/20 TAP WITH 1X2 SPLITTER DROP PORTS |
| 08 | 8 dB | 75/25 TAP WITH 1X2 SPLITTER DROP PORTS |
| 09 | 7 dB | 70/30 TAP WITH 1X2 SPLITTER DROP PORTS |
| 10 | 5 dB | 60/40 TAP WITH 1X2 SPLITTER DROP PORTS |
| 11 | 4 dB | 1X2 SPLITTER DROP PORTS - TERMINATOR TAP |
| MODULE WITH 4-DROP PORTS | | |
| 12 | 21 dB | 99/1 TAP WITH 1X4 SPLITTER DROP PORTS |
| 13 | 19 dB | 98/2 TAP WITH 1X4 SPLITTER DROP PORTS |
| 14 | 17 dB | 97/3 TAP WITH 1X4 SPLITTER DROP PORTS |
| 15 | 15 dB | 95/5 TAP WITH 1X4 SPLITTER DROP PORTS |
| 16 | 13 dB | 93/7 TAP WITH 1X4 SPLITTER DROP PORTS |
| 17 | 11 dB | 90/10 TAP WITH 1X4 SPLITTER DROP PORTS |
| 18 | 10 dB | 85/15 TAP WITH 1X4 SPLITTER DROP PORTS |
| 19 | 9 dB | 80/20 TAP WITH 1X4 SPLITTER DROP PORTS |
| 20 | 7 dB | 1X4 SPLITTER DROP PORTS - TERMINATOR TAP |
| MODULE WITH 8-DROP PORTS | | |
| 21 | 22 dB | 99.5/0.5 TAP WITH 1X8 SPLITTER DROP PORTS |
| 22 | 21 dB | 99/1 TAP WITH 1X8 SPLITTER DROP PORTS |
| 23 | 19 dB | 98/2 TAP WITH 1X8 SPLITTER DROP PORTS |
| 24 | 17 dB | 97/3 TAP WITH 1X8 SPLITTER DROP PORTS |
| 25 | 15 dB | 95/5 TAP WITH 1X8 SPLITTER DROP PORTS |
| 26 | 14 dB | 94/6 TAP WITH 1X8 SPLITTER DROP PORTS |
| 27 | 12 dB | 90/10 TAP WITH 1X8 SPLITTER DROP PORTS |
| 28 | 11 dB | 1X8 SPLITTER DROP PORTS – TERMINATOR TAP |

Ordering Guide:

