

# PEACOC® Mid-Span Clamshell Hardened Terminal (M-CHT)

## Description:

The flexible PEACOC M-CHT offers simple splice-in with plug-and-play hardened fiber connectivity using standard fiber drops in a compact yet versatile design without requiring proprietary/hardened connectors. It is ideal for fast fiber installation and quick turn-up of field connections in an extremely small terminal with guaranteed quality and performance. Available with four feeder/branch ports, four or eight drop ports, passive optical component integration, and single or mass fusion splicing, this unit is ideal any for telecommunication, FTTx, or wireless fiber network. It's reliable high-density, hardened connectivity – **that works!**

## Benefits:

- Eliminates dependence on hardened connectors
- Adds security as customer connections are completely separate from feeder and branch splice area
- Shortens lead-times by using standard connector drop cables
- Diversifies supply chain using standard fiber cables
- Simplifies inventory management
- Provides flexibility with one form factor for a variety of applications

## Features:

- Hardened connectivity using standard LC, SC, and MPO fiber connectors
- Compact design – very small in size
- Isolated individual connector ports – each sealed in a dedicated IP68 chamber with reliable clasp latching
- Separate sealed compartment for feeder cable storage, splicing, and optical components enterable away from customer connections
- Four cable entry/exit ports for feeder and branch cables
- Both single fiber and ribbon splice options
- Suitable for housing Splitters, Engineered TAPs, and WDMs
- Holds up to 7' of cable/buffer tube slack for a 144F cable
- Four or Eight drop cable ports with anchor plate tie-off
- Pole, strand, wall, pedestal, handhole/manhole mountable
- Compliant with GR-771 and IEC 60529 (IP68)



## Applications:

- Telecommunications & Data Communications networks
- Ideal for 5G, Small Cell, Rural, HFC, and DAS Networks
- FTTH, FTTA and MDU deployments



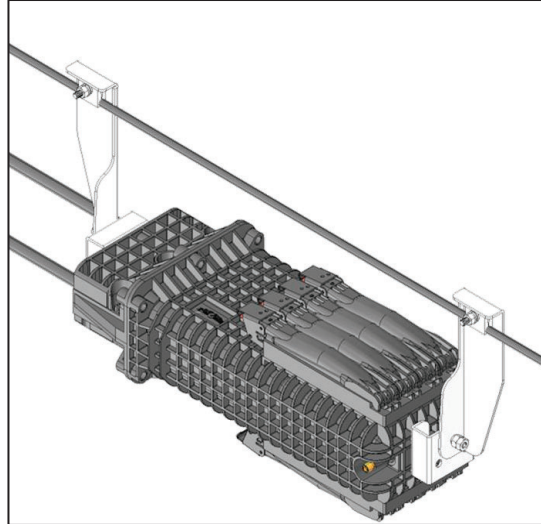


# PEACOC® Mid-span Clamshell Hardened Terminal

## Mounting Options:



POLE/ WALL MOUNT



STRAND MOUNT

## Product Views (drop ports):



M-CHT  
(Front View)

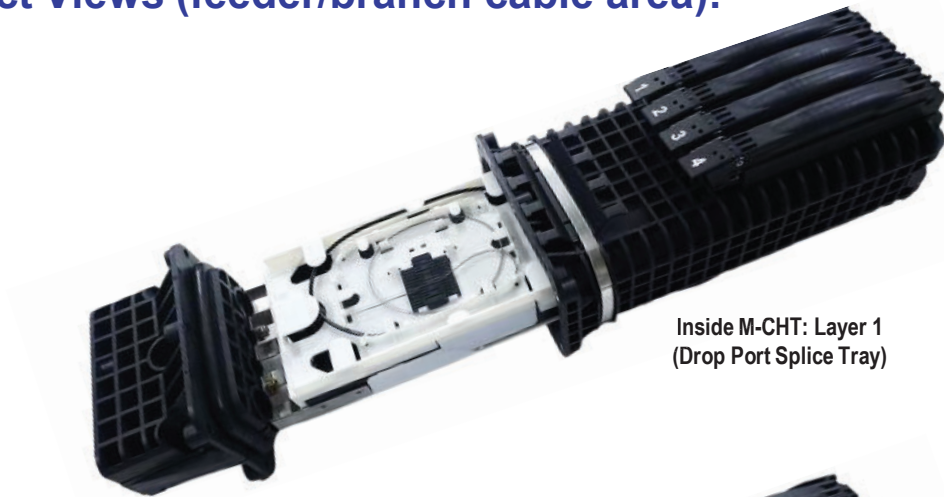


M-CHT  
(Drop Port Access)

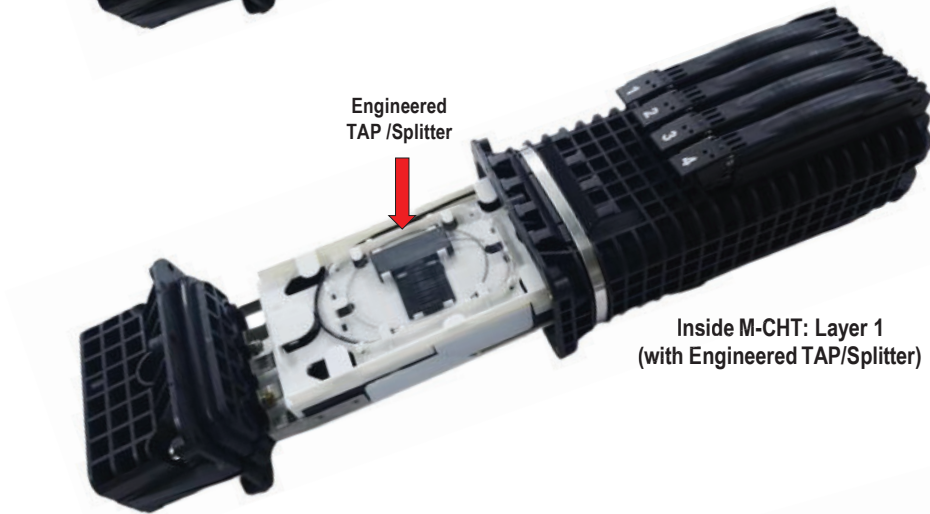


# PEACOC® Mid-span Clamshell Hardened Terminal

## Product Views (feeder/branch cable area):

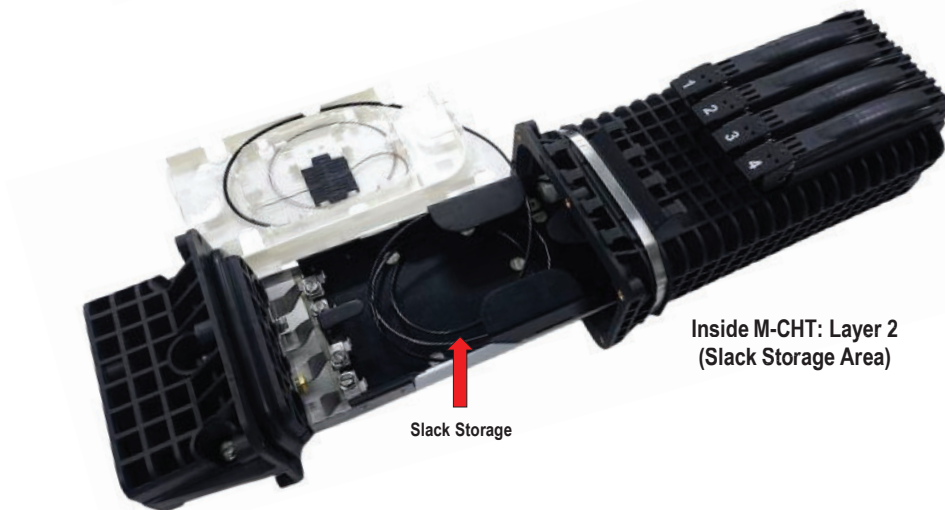


Inside M-CHT: Layer 1  
(Drop Port Splice Tray)



Engineered  
TAP /Splitter

Inside M-CHT: Layer 1  
(with Engineered TAP/Splitter)



Slack Storage

Inside M-CHT: Layer 2  
(Slack Storage Area)



# PEACOC® Mid-span Clamshell Hardened Terminal

## Ordering Guide for Standard M-CHT



PRODUCT FAMILY	
Code	Code Description
P	PEACOC

PRODUCT TYPE	
Code	Code Description
MHT	Mid-Span Clamshell Hardened Terminal

NUMBER OF DROP PORTS	
Code	Code Description
4	4 Ports
8	8 Ports

DROP PORT ADAPTER TYPE	
Code	Code Description
1	SC/UPC (BLUE)
2	SC/APC (GREEN)
3	LC/UPC (BLUE)
4	LC/APC (GREEN)

PRODUCT SERIES	
Code	Code Description
---	Product Series (3 numbers)

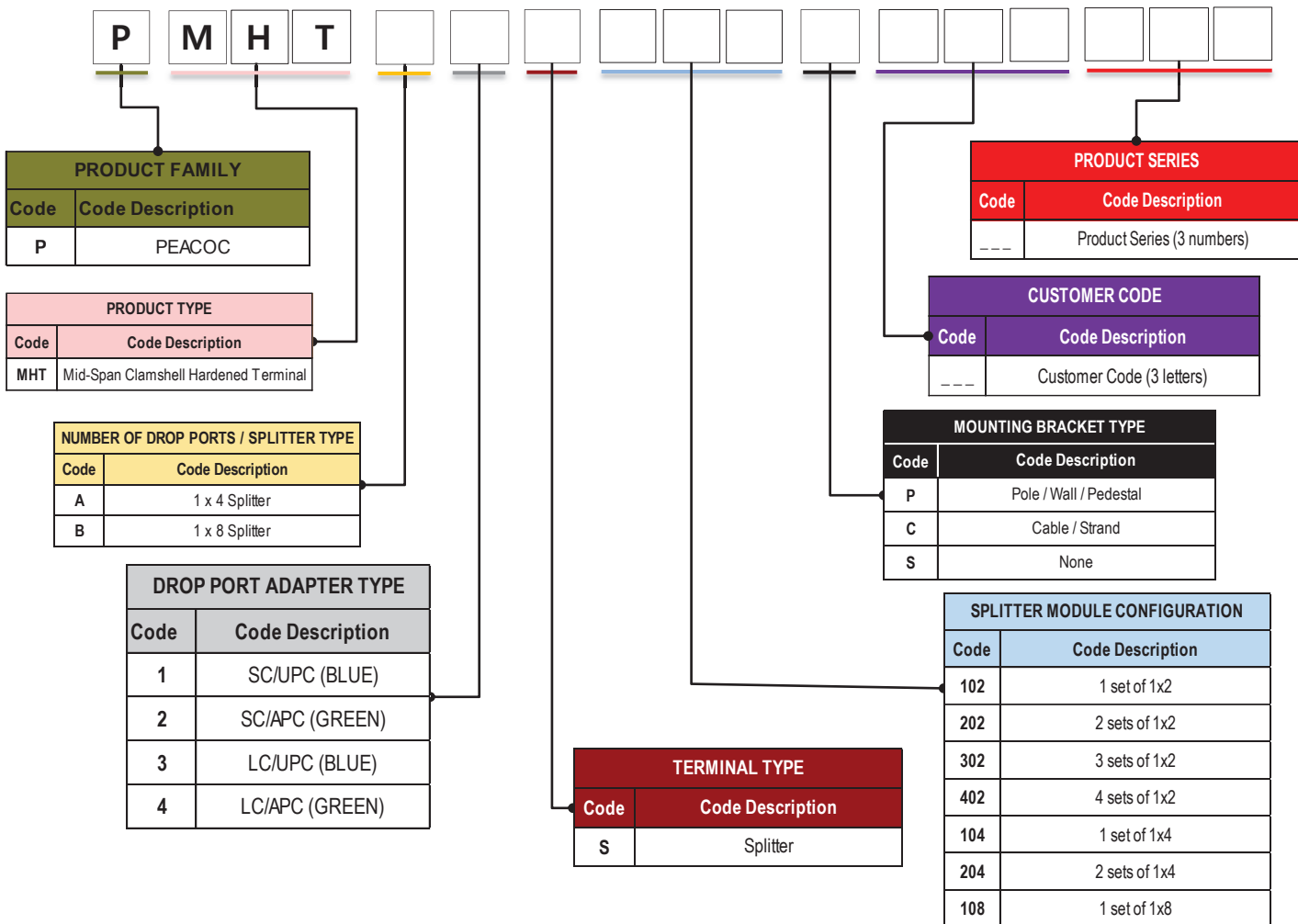
CUSTOMER CODE	
Code	Code Description
---	Customer Code (3 letters)

MOUNTING BRACKET TYPE	
Code	Code Description
P	Pole / Wall / Pedestal
C	Cable / Strand
S	None

TERMINAL TYPE	
Code	Code Description
L	Loose Tube Splice
R	Ribbon Splice

# PEACOC® Mid-span Clamshell Hardened Terminal

## Ordering Guide for M-CHT with Splitters

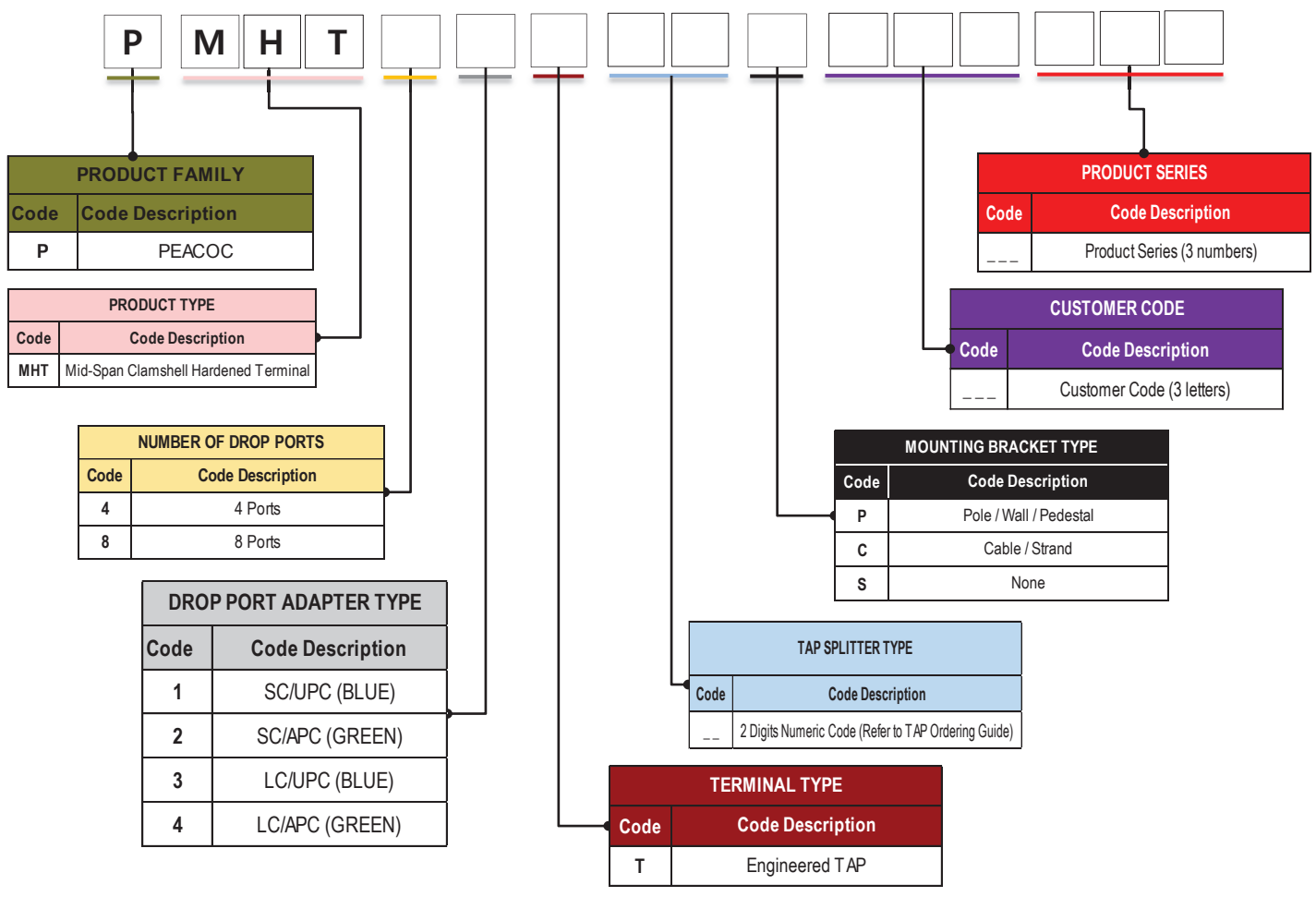


### 1X4 and 1X8 Splitter Specifications:

PARAMETER	SPECIFICATION	
Operating Wavelength	1260~1620nm	
Configuration	1x4	1x8
Insertion Loss	≤ 7.2 dB	≤ 10.9 dB
Uniformity	≤1.0 dB	≤1.0 dB
Polarization Dependent Loss	≤0.2 dB	≤0.3 dB
Return Loss	≥50 dB	
Optical Power Handling	≤ 500 mW	
Standards	GR-1209/GR-1221	

# PEACOC® Mid-span Clamshell Hardened Terminal

## Ordering Guide for M-CHT with Engineered TAPs



TAP ORDERING GUIDE ON NEXT PAGE

# PEACOC® Mid-span Clamshell Hardened Terminal

## TAP Ordering Guide:

Code	TAP Value	TAP Module Description
<b>MODULE WITH 2-DROP PORTS</b>		
01	21 dB	99/1 TAP WITH 1X2 SPLITTER DROP PORTS
02	19 dB	98/2 TAP WITH 1X2 SPLITTER DROP PORTS
03	17 dB	97/3 TAP WITH 1X2 SPLITTER DROP PORTS
04	15 dB	95/5 TAP WITH 1X2 SPLITTER DROP PORTS
05	14 dB	94/6 TAP WITH 1X2 SPLITTER DROP PORTS
06	12 dB	90/10 TAP WITH 1X2 SPLITTER DROP PORTS
07	10 dB	80/20 TAP WITH 1X2 SPLITTER DROP PORTS
08	8 dB	75/25 TAP WITH 1X2 SPLITTER DROP PORTS
09	7 dB	70/30 TAP WITH 1X2 SPLITTER DROP PORTS
10	5 dB	60/40 TAP WITH 1X2 SPLITTER DROP PORTS
11	4 dB	1X2 SPLITTER DROP PORTS - TERMINATOR TAP
<b>MODULE WITH 4-DROP PORTS</b>		
12	21 dB	99/1 TAP WITH 1X4 SPLITTER DROP PORTS
13	19 dB	98/2 TAP WITH 1X4 SPLITTER DROP PORTS
14	17 dB	97/3 TAP WITH 1X4 SPLITTER DROP PORTS
15	15 dB	95/5 TAP WITH 1X4 SPLITTER DROP PORTS
16	13 dB	93/7 TAP WITH 1X4 SPLITTER DROP PORTS
17	11 dB	90/10 TAP WITH 1X4 SPLITTER DROP PORTS
18	10 dB	85/15 TAP WITH 1X4 SPLITTER DROP PORTS
19	9 dB	80/20 TAP WITH 1X4 SPLITTER DROP PORTS
20	7 dB	1X4 SPLITTER DROP PORTS - TERMINATOR TAP
<b>MODULE WITH 8-DROP PORTS</b>		
21	22 dB	99.5/0.5 TAP WITH 1X8 SPLITTER DROP PORTS
22	21 dB	99/1 TAP WITH 1X8 SPLITTER DROP PORTS
23	19 dB	98/2 TAP WITH 1X8 SPLITTER DROP PORTS
24	17 dB	97/3 TAP WITH 1X8 SPLITTER DROP PORTS
25	15 dB	95/5 TAP WITH 1X8 SPLITTER DROP PORTS
26	14 dB	94/6 TAP WITH 1X8 SPLITTER DROP PORTS
27	12 dB	90/10 TAP WITH 1X8 SPLITTER DROP PORTS
28	11 dB	1X8 SPLITTER DROP PORTS – TERMINATOR TAP

