

# OSP Deep Terminal with Splitters

## Description:

Go!Foton's versatile OSP Deep Terminal with Splitters integrates PLC splitters, drop port connections, and mid-span splicing into a small weather-tight enclosure for simple deployment of FTTx networks. This compact and easy-to-access terminal enables fast installation of subscriber connections with guaranteed quality and performance. It is an ideal solution for any type of fiber-to-the-x deployment.

## Features:

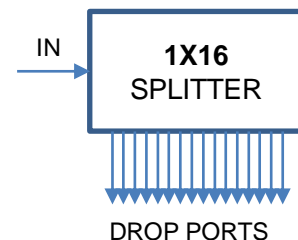
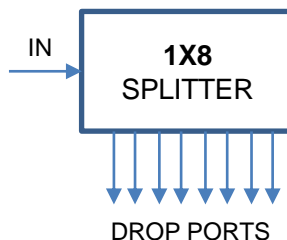
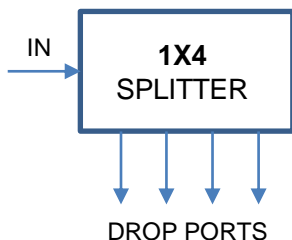
- Available with 1x2 1x4, 1x8 and 1x16 PLC splitters
- Up to 16 available drop port locations
- Compact size for concealed applications and tight spaces
- IP65 rated and UV resistant enclosure for OSP deployments
- Connectorized Drop Ports, Splitters, and Splice Tray are pre-installed for immediate deployment
- Uses standard SC or LC connectorized drop cables or accepts drop cables with field installed connectors
- Buckle-lock design for tool-less access and secure installation
- Strand, pole, or wall mountable

## Benefits:

- Simple deployment and easy maintenance for midspan drops to customers
- Ready to turn-up service using standard connector drop cables
- Lower overall cost to deploy with pre-installed splitters and connectorized ports

## Applications:

- Telecommunication and Wireless Networks
- Fiber-to-the-X networks with distributed split architectures
- FTTA and MDU applications
- External or Concealed within Pole Mounting

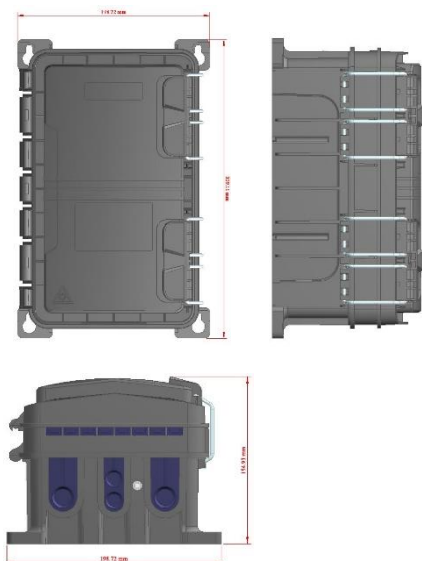


# OSP Deep Terminal with Splitters

## Specifications:

PARAMETER	SPECIFICATIONS
Number of Drop Ports	2-port, 4-port, or 8-port
Adapter Type(s)	SC/APC or SC/UPC Simplex LC/APC or LC/UPC Duplex
Feeder Cable Diameter	7 mm ~ 20 mm
Branch Cable Diameter	7 mm ~ 15 mm
Drop Cable Ports Capacity	16 pcs – 3mm Round Drop Cable 8 pcs – 4.8mm Round Drop Cable 8 pcs – Flat Drop Cable
Maximum Splice Count for Feeder	48 fibers (single fusion splice) – Feeder & Branch Cables Up to 16 fiber (single fusion splice) – Drop cables
Mounting Options	Strand, Pole, and Wall Mount
Color	Black
Weight	2.54 kg
Dimensions	12.2" x 7.8" x 6.1" (309mm x 199mm x 155mm)
Fiber Type	ITU-T G657-A1 and G652-D compliant Single Mode fiber
Operating Temperature	-40°C to +65°C
Operating Humidity Range	5 to 95% RH
Classification	IP65 and GR-771

## Product Dimensions:



## Mounting Options:



**Pole Mount**



**Wall Mount**

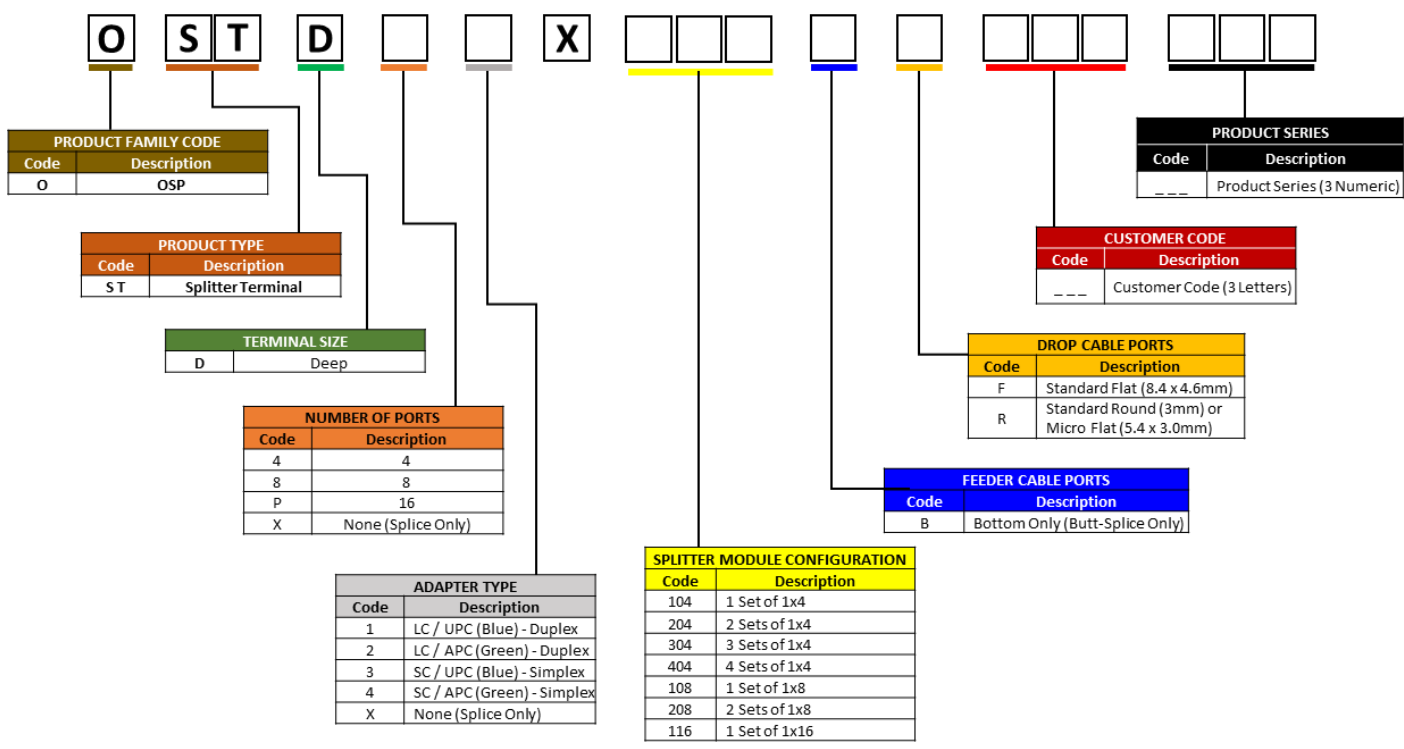


**Strand Mount**



# OSP Deep Terminal with Splitters

## Ordering Guide:



## Accessories:

MODEL CODE	DESCRIPTION
OTTDMP1	OSP DEEP TERMINAL MOUNTING BRACKET WALL/POLE
OTTDMC1	OSP DEEP TERMINAL MOUNTING BRACKET FOR CABLE STRAND
OTTGNDKIT1	OSP DEEP TERMINAL GROUNDING KIT

## Example Ordering Code:

**Order Code: OST44X104BF**

**Description: OSP DEEP SPLITTER TERMINAL BUTT SPLICE WITH 1X4 SPLITTER 4 SCA FLAT DROP PORTS**

# OSP Deep Terminal with Splitters (1x2, 1x4, 1x8, 1x16)

## 1X4, 1X8 and 1x16 Splitter Specifications:

PARAMETER	SPECIFICATION		
Operating Wavelength	1260~1620nm		
Configuration	1x4	1x8	1X16
Insertion Loss	≤ 7.2 dB	≤ 10.9 dB	≤ 14.3 dB
Uniformity	≤1.0 dB	≤1.0 dB	≤1.4 dB
Polarization Dependent Loss	≤0.2 dB	≤0.3 dB	≤0.3 dB
Return Loss	≥50 dB		
Optical Power Handling	≤ 300 mW		
Standards	GR-1209/GR-1221		

\* IL and RL includes connectors

## Product Expanded View:



**Top Layer:**  
Splitter Ports for Drop  
Cable Connections



**Middle Layer:**  
Splice Tray for Feeder  
Fiber Integration



**Bottom Layer:**  
Feeder Fiber Slack  
Management