

## PEACOC® HD All-Front Access Patch Panel

**PEACOC** is Go!Foton's Platform with Enhance Access for Compact Optical Connectors. It is an innovative platform that revolutionizes the way data center and telecom operators manage the increasingly complex world of optical connectivity. With **PEACOC** spreadable adapter technology, each individual optical connection can be easily isolated from the adjacent ports creating a generous region of unobstructed handling for safe, fast and error-free management of optical fiber jumpers. It is the only high-density solution that provides easy access to both the front and back side connectors at the same time – from the same side of the rack. It's high-density fiber management – *that works!*

### Benefits:

- Craft-friendly access to individual fiber connections
- All front-side access for applications where no rear-side access is available – racks lined up back-to-back or against a wall
- Reduced rack space: 36 duplex LC circuits per 1RU  
Scalable in increments of 1RU for true “pay-as-you-grow” convenience
- Ideal for moves, adds, and changes as customers grow and expand services

### Features:

- 72 LC / 36 SC connections per 1RU panel
- Left and right cassettes are internally cross-connected and can be accessed independently for all front-side operation
- Fiber management with innovative SOC™ sleeve
- Tested by Telcordia for compliance with GR-449 Issue 3, GR-63 NEBS standards
- Customized front door lock option for added security
- Optional 2RU and 4RU sizes for even higher fiber count applications

### Applications:

- Data center, Telecom Central Office, CATV Headend
- Fiber Management and Distribution Frames
- Wireless C-RAN Sites & MSCs



Left-Side Ports Cross-Connected to Right-Side Ports  
ALL-FRONT ACCESS

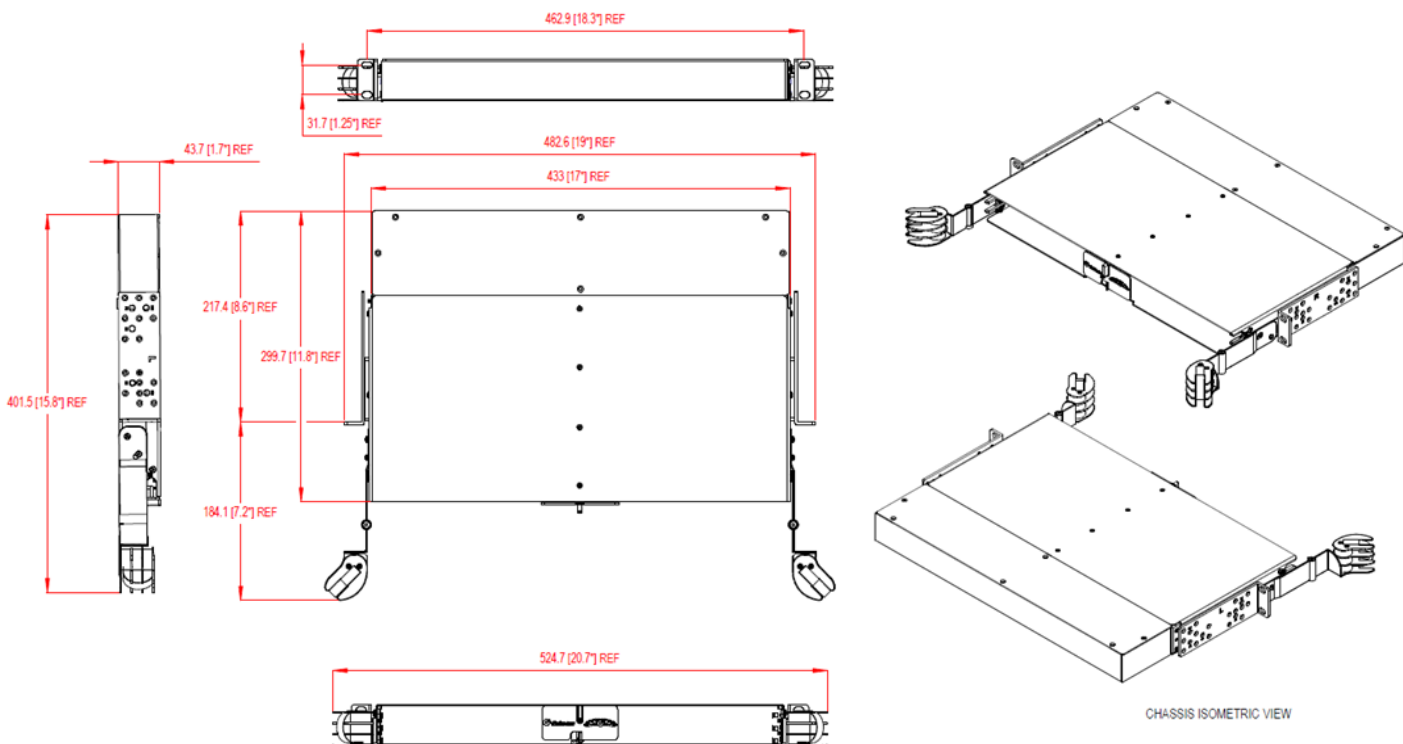


# PEACOC® HD All-Front Access Patch Panel

## Specifications:

| PARAMETER             | 1RU SPECIFICATION   |
|-----------------------|---|
| Number of ports       | 72 LC / 36 SC / 36 MPO                                      |
| Accessibility         | PEACOC Spreadable Adapters                                  |
| Access Direction      | Both Front & Rear Spreadable Adapters                       |
| Width                 | 19" and 23" Rack Compatible                                 |
| Depth                 | 12.5"   |
| Mounting Position     | Standard, Recessed, and Flush Mounting                      |
| Cable Type            | Simplex & Duplex Jumpers, MPO Cables, or Multifiber Fanouts |
| Fiber Type            | Singlemode and Multimode                                    |
| Connector Type        | LC/UPC, LC/APC, SC/UPC, SC/APC, MPO                         |
| Insertion Loss        | ≤ 0.3 dB (LC/SC) / ≤ 0.35 dB (MPO)                          |
| Operating Temperature | -40°C to +65°C  |

## Dimensions:



# PEACOC® HD All-Front Access Patch Panel

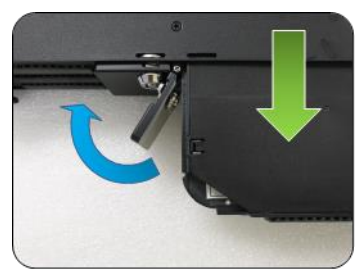
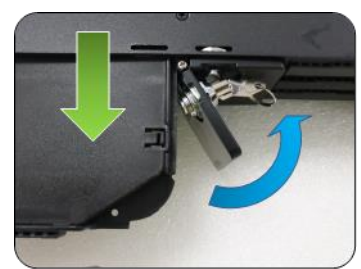
Customized Front Door Key Lock (optional)



Key operated door locking mechanism for port access security

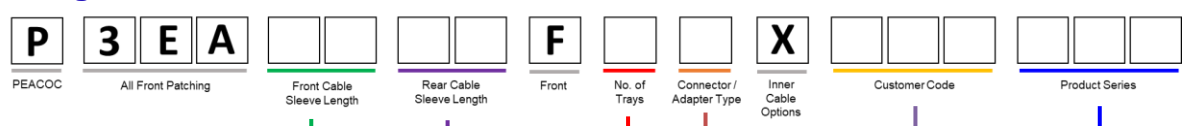


Left side cassette with key lock



Right side cassette with turn knob

## Ordering Guide



| FRONT CABLE SLEEVE (cm) |                 |
|-------------------------|-----------------|
| Code                    | Description     |
| --                      | 2 Digits Length |
| X                       | None            |

| REAR CABLE SLEEVE (cm) |                 |
|------------------------|-----------------|
| Code                   | Description     |
| --                     | 2 Digits Length |
| X                      | None            |

| CUSTOMER CODE (Optional) |                                |
|--------------------------|--------------------------------|
| Code                     | Description                    |
| ---                      | Customer Code (3 Letters Only) |

| PRODUCT SERIES (Optional) |                                  |
|---------------------------|----------------------------------|
| Code                      | Description                      |
| ---                       | Product Series (3 Numerics Only) |

| NUMBER OF TRAYS |             |
|-----------------|-------------|
| Code            | Description |
| --              | 2, 4 or 6   |
| X               | None        |

| CONNECTOR TYPE / ADAPTER TYPE |                                 |
|-------------------------------|---------------------------------|
| Code                          | Description                     |
| 1                             | LC-UPC / Blue Duplex Adapters   |
| 2                             | LC-APC / Green Duplex Adapters  |
| 3                             | SC-UPC / Blue Simplex Adapters  |
| 4                             | SC-APC / Green Simplex Adapters |
| 5                             | LC-UPC / Blue Simplex Adapters  |
| 6                             | LC-APC / Green Simplex Adapters |
| 7                             | MPO - Black Adapters            |
| 8                             | LC-PC / Aqua Duplex Adapters    |
| 9                             | SC-PC / Aqua Simplex Adapters   |
| P                             | Others - Custom Configuration   |